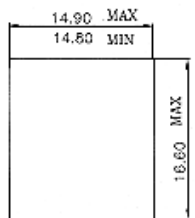
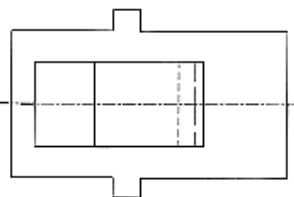
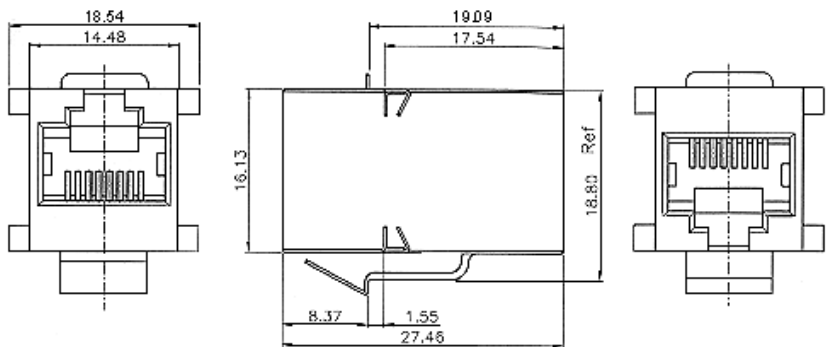
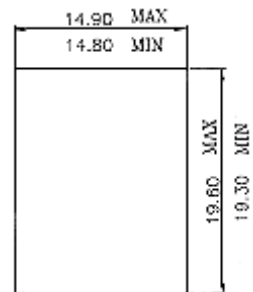




Modular Couplers



Front Panel Jack Only Clearance
W/O Latch Feature



Single Panel-Latch Clearance
Panel Thickness 0.062 inch

Materials

Shielded: Stainless Steel

Housing: Standard Material Glass Filled Polyester UL 94V-0
Standard Color Black

Contact: 0.35mm (0.014") Thickness Alloy C5210. Gold Plating Over Nickel.

Gold Plating: 0.76 u m / 30 u inch

Ordering Information

Positions/ Contacts	Description	Unshielded	Shielded
6P2C	Modular Coupler, Snap-In	310162BK ‡	310162S*

6P4C	Modular Coupler, Snap-In	310164BK ‡	310164S*
6P6C	Modular Coupler, Snap-In	310166BK ‡	310166S*
8P8C	Modular Coupler, Snap-In	310188BK ‡	310188S* ‡

Black (BK) is standard.
 Optional colors may require minimum.
 Red, Green
 Blue, Yellow White, Ivory
 Gray

‡ Add Letter "K" To Denote Keyed
 See Page 21 For Keystone Wall Plates

FOR TECHNICAL SUPPORT: PHONE 973-347-4040 / FAX973-347-2111

[Back to Index](#)

Hit Counter